

Via



Why Via?

- Mercedes-Benz® Sprinter chassis
- Fuel-efficient and easy to maneuver
- Threshold™ Quiet RV Door and retractable screen door
- MCD solar/blackout shades
- Available StudioLoft™ (25P, 25T)
- HDTVs
- Ultraleather™ furniture
- Infotainment Center with Rand McNally RV GPS
- Swivel cab seats

Via



Why Via?

- Mercedes-Benz® Sprinter chassis
- Fuel-efficient and easy to maneuver
- Threshold™ Quiet RV Door and retractable screen door
- MCD solar/blackout shades
- Available StudioLoft™ (25P, 25T)
- HDTVs
- Ultraleather™ furniture
- Infotainment Center with Rand McNally RV GPS
- Swivel cab seats

Via



Click on this icon throughout the brochure to link to more information on the web.



On the cover: 25P Dark Gray Mica Full-Body Paint

25P Twitter with Aosta Cherry Cabinetry

Imagine the Possibilities

With a bold look and impressive fuel economy, people are taking notice of the Winnebago Via® and the surprisingly large livability that puts this coach in a class of its own. Built on the nimble Mercedes-Benz® Sprinter chassis, the Via has reinvented what is possible in a Class A coach with innovations such as the Flex Bed System and StudioLoft™. Three floorplans offer something for everyone, including

the new 25P with a spacious lounge and a generous rear storage area. Three rich wood choices let you pick your style while LED lighting reduces your energy consumption by up to 70 percent. With Sprinter chassis mobility, plenty of options, impressive fuel economy, and Winnebago Industries'® legendary construction quality, you can make all your dreams come true with the Winnebago Via.



Recognized Quality The RV Dealers Association bestows its annual Quality Circle Award based on dealer ratings to the manufacturers that provide exceptional products, service and support. Only one manufacturer has received this honor for seventeen consecutive years: Winnebago Industries.®



On the cover: 25P Dark Gray Mica Full-Body Paint

25P Twitter with Aosta Cherry Cabinetry

Imagine the Possibilities

With a bold look and impressive fuel economy, people are taking notice of the Winnebago Via® and the surprisingly large livability that puts this coach in a class of its own. Built on the nimble Mercedes-Benz® Sprinter chassis, the Via has reinvented what is possible in a Class A coach with innovations such as the Flex Bed System and StudioLoft™. Three floorplans offer something for everyone, including

the new 25P with a spacious lounge and a generous rear storage area. Three rich wood choices let you pick your style while LED lighting reduces your energy consumption by up to 70 percent. With Sprinter chassis mobility, plenty of options, impressive fuel economy, and Winnebago Industries'® legendary construction quality, you can make all your dreams come true with the Winnebago Via.



Recognized Quality The RV Dealers Association bestows its annual Quality Circle Award based on dealer ratings to the manufacturers that provide exceptional products, service and support. Only one manufacturer has received this honor for seventeen consecutive years: Winnebago Industries.®

Best in Class

See how Winnebago Industries takes motorhome design and function to the next level, and why we've earned the right to be called the Most Recognized Name in Motorhomes.®



Click on this icon throughout the brochure to link to more information on the web.



Drive in Style The Ultraleather™ cab seats are impressively comfortable and swivel to face the inviting lounge area.



Instant Bed The StudioLoft™ bed easily drops down from the cab ceiling for instant sleeping space.



Easy The OnePlace® Systems Center lets you check major systems at the touch of a button.



On the Mark The BenchMark® full comfort dinette (25P) offers premium innerspring seating that makes for exceptionally comfortable dining. The seats flip up to access hidden storage compartments and easily convert into a cozy sleeping space.



Night and Day The available acrylic windows are lightweight, scratch-resistant, and feature built-in screens and shades that pull up from the window base so you can enjoy a cool breeze while maintaining privacy.

Best in Class

See how Winnebago Industries takes motorhome design and function to the next level, and why we've earned the right to be called the Most Recognized Name in Motorhomes.®



Click on this icon throughout the brochure to link to more information on the web.



Drive in Style The Ultraleather™ cab seats are impressively comfortable and swivel to face the inviting lounge area.



Easy The OnePlace® Systems Center lets you check major systems at the touch of a button.



On the Mark The BenchMark® full comfort dinette (25P) offers premium innerspring seating that makes for exceptionally comfortable dining. The seats flip up to access hidden storage compartments and easily convert into a cozy sleeping space.



Instant Bed The StudioLoft™ bed easily drops down from the cab ceiling for instant sleeping space.



Night and Day The available acrylic windows are lightweight, scratch-resistant, and feature built-in screens and shades that pull up from the window base so you can enjoy a cool breeze while maintaining privacy.



25P Twitter with Aosta Cherry Cabinetry

Relaxing with family and friends in the Via is made easy thanks to the comfortable cab seats that swivel to face the inviting living area. Your media entertainment comes courtesy of an HDTV and coach stereo system with Bluetooth™ so you can stream all your favorite music. The available lightweight, scratch-resistant windows feature built-in screens and shades that pull up from the window base. Tinted windows with MCD solar/blackout roller shades come standard for complete control over light and privacy. The interior LED lighting reduces energy consumption by up to 70 percent, which significantly extends power when dry camping.



HDTV



Available Acrylic Windows with Pull-Up Shades



25P Twitter with Aosta Cherry Cabinetry

Relaxing with family and friends in the Via is made easy thanks to the comfortable cab seats that swivel to face the inviting living area. Your media entertainment comes courtesy of an HDTV and coach stereo system with Bluetooth™ so you can stream all your favorite music. The available lightweight, scratch-resistant windows feature built-in screens and shades that pull up from the window base. Tinted windows with MCD solar/blackout roller shades come standard for complete control over light and privacy. The interior LED lighting reduces energy consumption by up to 70 percent, which significantly extends power when dry camping.



HDTV



Available Acrylic Windows with Pull-Up Shades

Whether you're making gourmet meals or preparing snacks, the full-featured galley puts everything you need within reach. Bake your favorite dishes in the microwave/convection oven and store your cold items in the double-door Norcold® refrigerator/freezer. Cleanup is easy with a deep stainless steel sink and a faucet that folds beneath a glass cover for added countertop space.



25P Galley



Refrigerator/Freezer



Full-Extension Drawer Slides



Sink/Range Top with Covers Down



Sink/Range Top with Covers Up

Whether you're making gourmet meals or preparing snacks, the full-featured galley puts everything you need within reach. Bake your favorite dishes in the microwave/convection oven and store your cold items in the double-door Norcold® refrigerator/freezer. Cleanup is easy with a deep stainless steel sink and a faucet that folds beneath a glass cover for added countertop space.



25P Galley



Refrigerator/Freezer



Full-Extension Drawer Slides



Sink/Range Top with Covers Down



Sink/Range Top with Covers Up

Via offers three different floorplans, each with a unique bathroom and bedroom design that includes a 22" HDTV. The new 25P features a corner double bed and wardrobe with plenty of drawer space below, while the 25Q offers a walk-around queen size bed and a mid-coach bath. For those who need more versatile sleeping arrangements, the Flex Bed System in the 25T converts the twin beds into a queen bed while offering an available StudioLoft™ bed that drops down from the cab ceiling. It also offers a large, dynamically-angled mid-coach bath.



25P Bedroom



25P Bathroom



Bedroom HDTV



25P Wardrobe

Via offers three different floorplans, each with a unique bathroom and bedroom design that includes a 22" HDTV. The new 25P features a corner double bed and wardrobe with plenty of drawer space below, while the 25Q offers a walk-around queen size bed and a mid-coach bath. For those who need more versatile sleeping arrangements, the Flex Bed System in the 25T converts the twin beds into a queen bed while offering an available StudioLoft™ bed that drops down from the cab ceiling. It also offers a large, dynamically-angled mid-coach bath.



25P Bedroom



25P Bathroom



Bedroom HDTV



25P Wardrobe



Dash

Get behind the wheel of a fuel-efficient Via and you'll feel like you're driving an easy-to-maneuver crossover instead of a Class A motorhome, thanks to the Mercedes-Benz® Sprinter chassis. You'll appreciate the latest in-dash communications technology found in the Infotainment Center with Rand McNally RV GPS. It delivers safe and easy trip routing with turn-by-turn voice guidance on a 6" touch-screen color monitor that includes AM/FM radio with a CD/DVD player, SiriusXM™ availability, an MP3 player input and a color rearview camera.



Powered Mirrors



Infotainment Center with Rand McNally RV GPS



Dash

Get behind the wheel of a fuel-efficient Via and you'll feel like you're driving an easy-to-maneuver crossover instead of a Class A motorhome, thanks to the Mercedes-Benz® Sprinter chassis. You'll appreciate the latest in-dash communications technology found in the Infotainment Center with Rand McNally RV GPS. It delivers safe and easy trip routing with turn-by-turn voice guidance on a 6" touch-screen color monitor that includes AM/FM radio with a CD/DVD player, SiriusXM™ availability, an MP3 player input and a color rearview camera.



Powered Mirrors



Infotainment Center with Rand McNally RV GPS

One thing you'll notice is the Via is remarkably quiet. That's because the innovative Threshold™ Quiet RV Door utilizes an airplane door-inspired seal design that reduces wind and road noise. It also works seamlessly with the retractable screen door. Once settled at the campsite, a simple push of the button extends your powered patio awning for delightful shade. Before re-entering the Via, do a quick cleanup of your gear, kids or pets at the exterior service center wash station. A driver-side door with a power lock and window is available (NA with StudioLoft™).



Powered Patio Awning with LED Lighting



Exterior Service Center



Driver-Side Storage Compartment (NA with Driver-Side Door)



Threshold™ Quiet RV Door



Retractable Screen Door



Door Seal



Automatic Entrance Steps



Available Stylized Aluminum Wheels

One thing you'll notice is the Via is remarkably quiet. That's because the innovative Threshold™ Quiet RV Door utilizes an airplane door-inspired seal design that reduces wind and road noise. It also works seamlessly with the retractable screen door. Once settled at the campsite, a simple push of the button extends your powered patio awning for delightful shade. Before re-entering the Via, do a quick cleanup of your gear, kids or pets at the exterior service center wash station. A driver-side door with a power lock and window is available (NA with StudioLoft™).



Powered Patio Awning with LED Lighting



Exterior Service Center



Driver-Side Storage Compartment (NA with Driver-Side Door)



Threshold™ Quiet RV Door



Retractable Screen Door



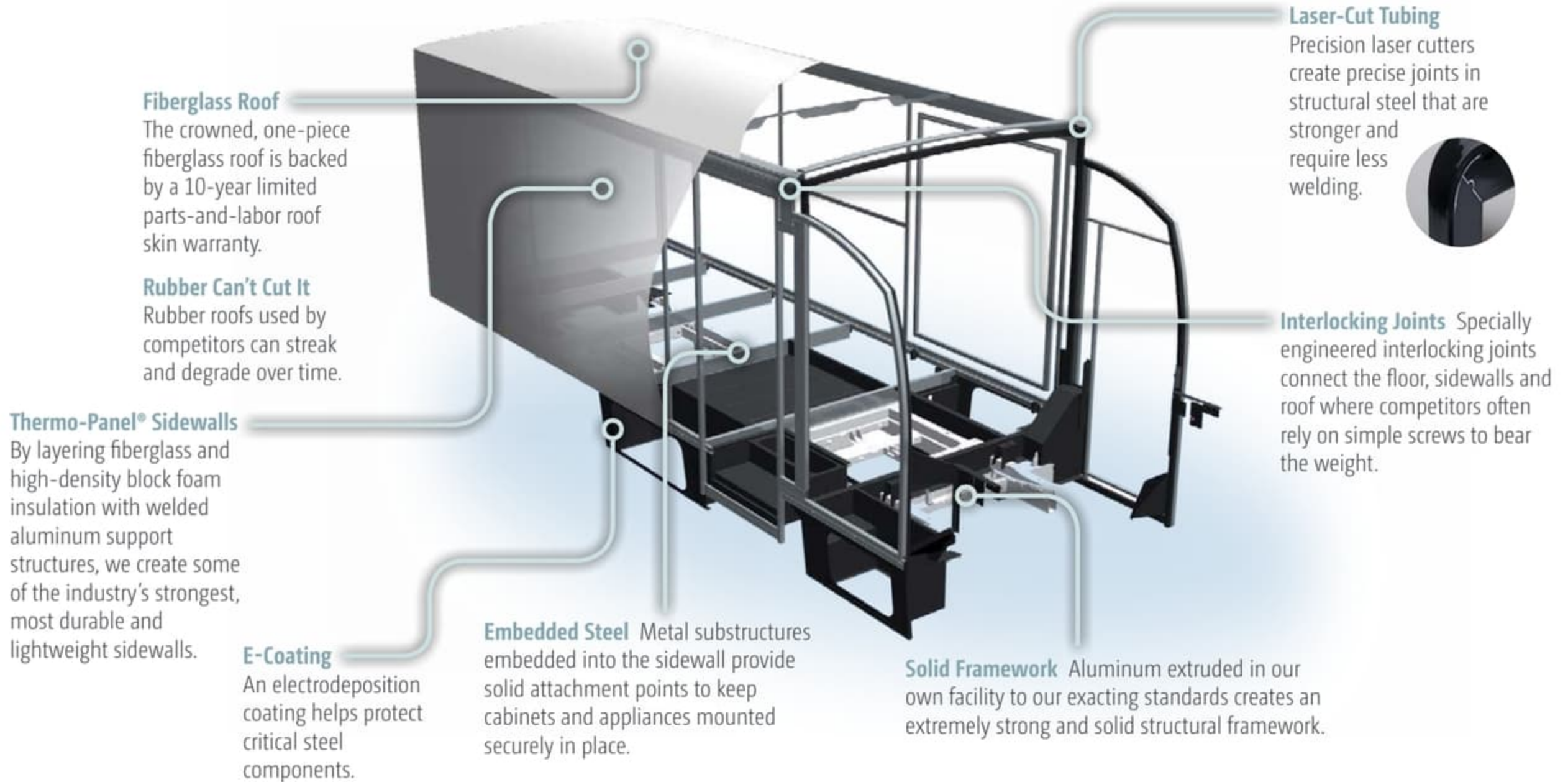
Door Seal



Automatic Entrance Steps



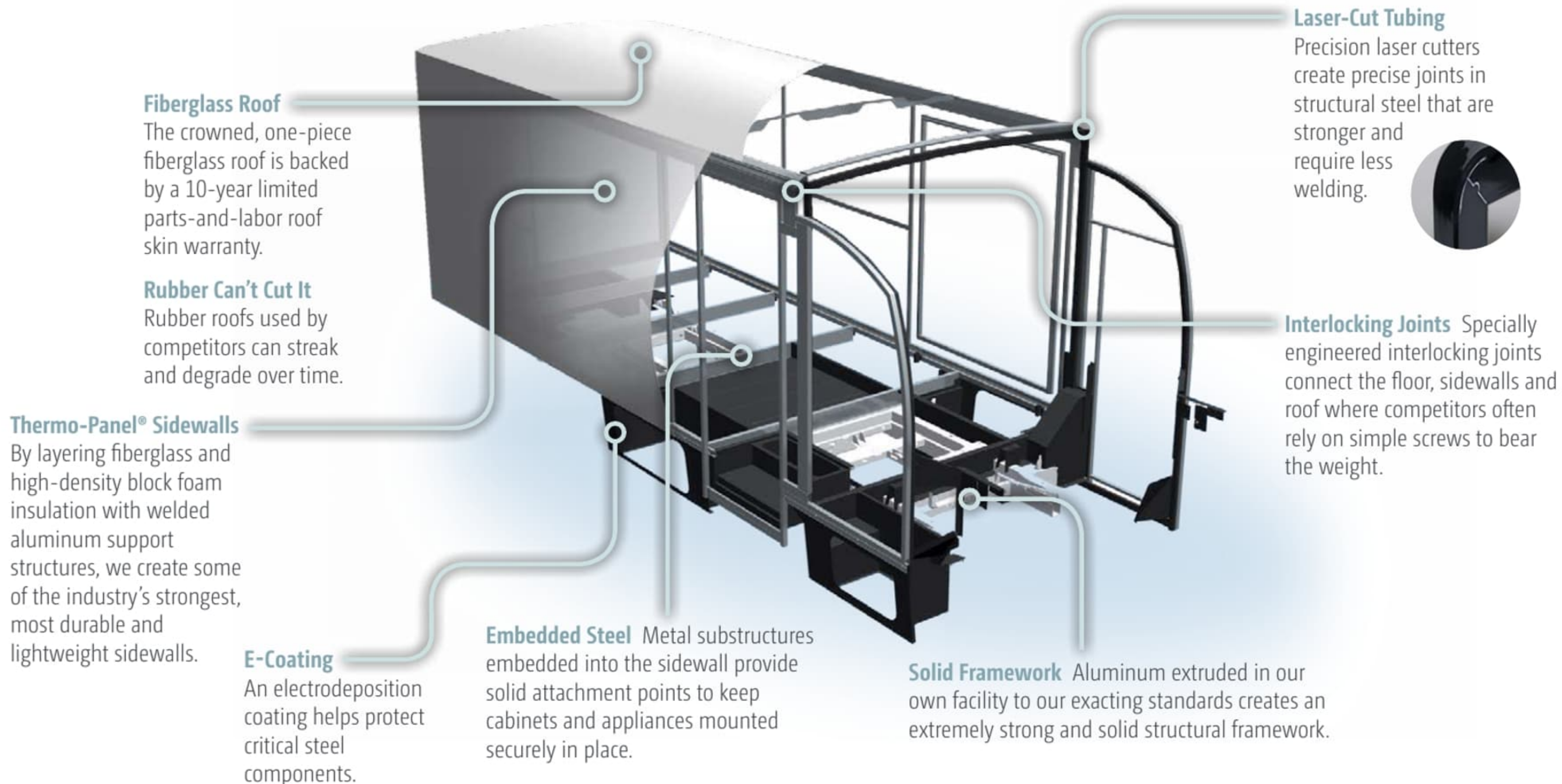
Available Stylized Aluminum Wheels



**SUPER
STRUCTURE**

BUILT TO LAST

Every coach—from our smallest Class C to our largest diesel pusher model—is built to Winnebago Industries'® legendary SuperStructure construction standards. It's a process developed and refined over more than 50 years of building some of the strongest, most durable coaches in the industry.

**Fiberglass Roof**

The crowned, one-piece fiberglass roof is backed by a 10-year limited parts-and-labor roof skin warranty.

Rubber Can't Cut It

Rubber roofs used by competitors can streak and degrade over time.

Thermo-Panel® Sidewalls

By layering fiberglass and high-density block foam insulation with welded aluminum support structures, we create some of the industry's strongest, most durable and lightweight sidewalls.

E-Coating

An electrodeposition coating helps protect critical steel components.

Embedded Steel Metal substructures embedded into the sidewall provide solid attachment points to keep cabinets and appliances mounted securely in place.

Solid Framework Aluminum extruded in our own facility to our exacting standards creates an extremely strong and solid structural framework.

Laser-Cut Tubing

Precision laser cutters create precise joints in structural steel that are stronger and require less welding.



Interlocking Joints Specially engineered interlocking joints connect the floor, sidewalls and roof where competitors often rely on simple screws to bear the weight.

**SUPER
STRUCTURE**

BUILT TO LAST

Every coach—from our smallest Class C to our largest diesel pusher model—is built to Winnebago Industries'® legendary SuperStructure construction standards. It's a process developed and refined over more than 50 years of building some of the strongest, most durable coaches in the industry.

TESTING Before rolling out of our factories, every coach undergoes an extensive 113-point inspection. Each coach also passes a high-pressure water test that simulates rain at a rate of 50-inches per hour to check for leaks. During the design process, our computer simulations, physical testing center, and rigorous test track ensure each model is built to last.



DETAILS At Winnebago Industries, we treat the features you can't see with the same care as the ones you can. Look in the access panels of some of our competitors' coaches and you'll see loose insulation and wires haphazardly strewn about. Winnebago Industries maintains a clean fit and finish throughout so your coach will last for the long haul.



BUILT IN-HOUSE We extrude our own aluminum. We rotocast our own plastic components. In fact, we manufacture most of our own parts so they are designed to fit the space, rather than fitting the space to an awkward off-the-shelf component size.



**SUPER
STRUCTURE**
BUILT TO LAST

 Visit BetterBuiltRVs.com to gain real insight into what goes into a Winnebago Industries motorhome.

TAKE A TOUR We're proud of our processes, state-of-the-art facilities, and the people who make Winnebago Industries number one. We invite you to visit our complex in Forest City, Iowa, for a first-hand look at the dedication and technology behind every motorhome we build.



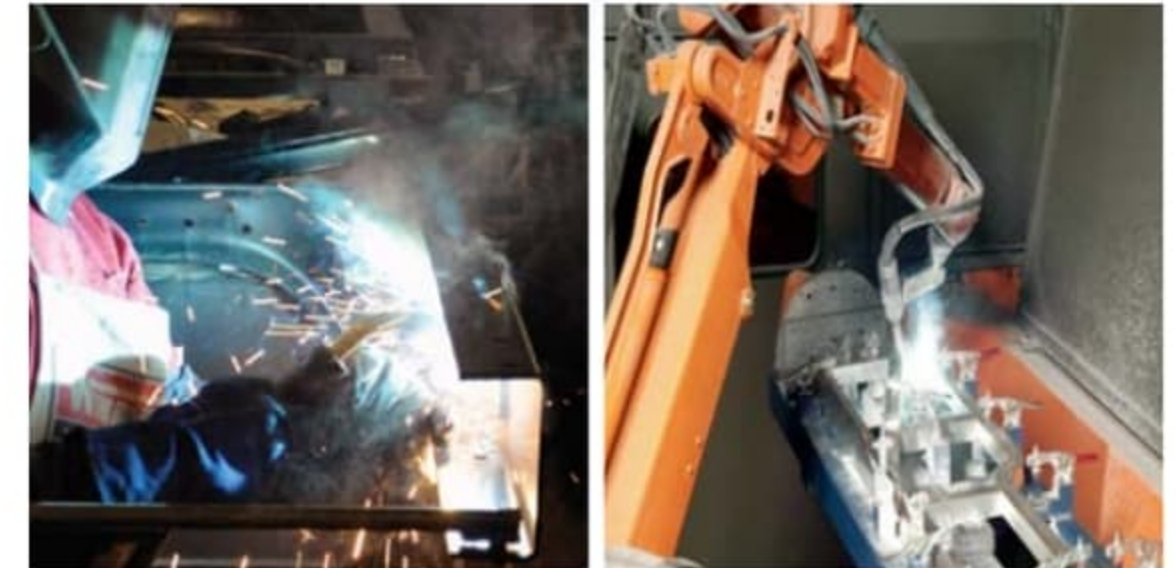
TESTING Before rolling out of our factories, every coach undergoes an extensive 113-point inspection. Each coach also passes a high-pressure water test that simulates rain at a rate of 50-inches per hour to check for leaks. During the design process, our computer simulations, physical testing center, and rigorous test track ensure each model is built to last.



DETAILS At Winnebago Industries, we treat the features you can't see with the same care as the ones you can. Look in the access panels of some of our competitors' coaches and you'll see loose insulation and wires haphazardly strewn about. Winnebago Industries maintains a clean fit and finish throughout so your coach will last for the long haul.



BUILT IN-HOUSE We extrude our own aluminum. We rotocast our own plastic components. In fact, we manufacture most of our own parts so they are designed to fit the space, rather than fitting the space to an awkward off-the-shelf component size.



**SUPER
STRUCTURE**
BUILT TO LAST

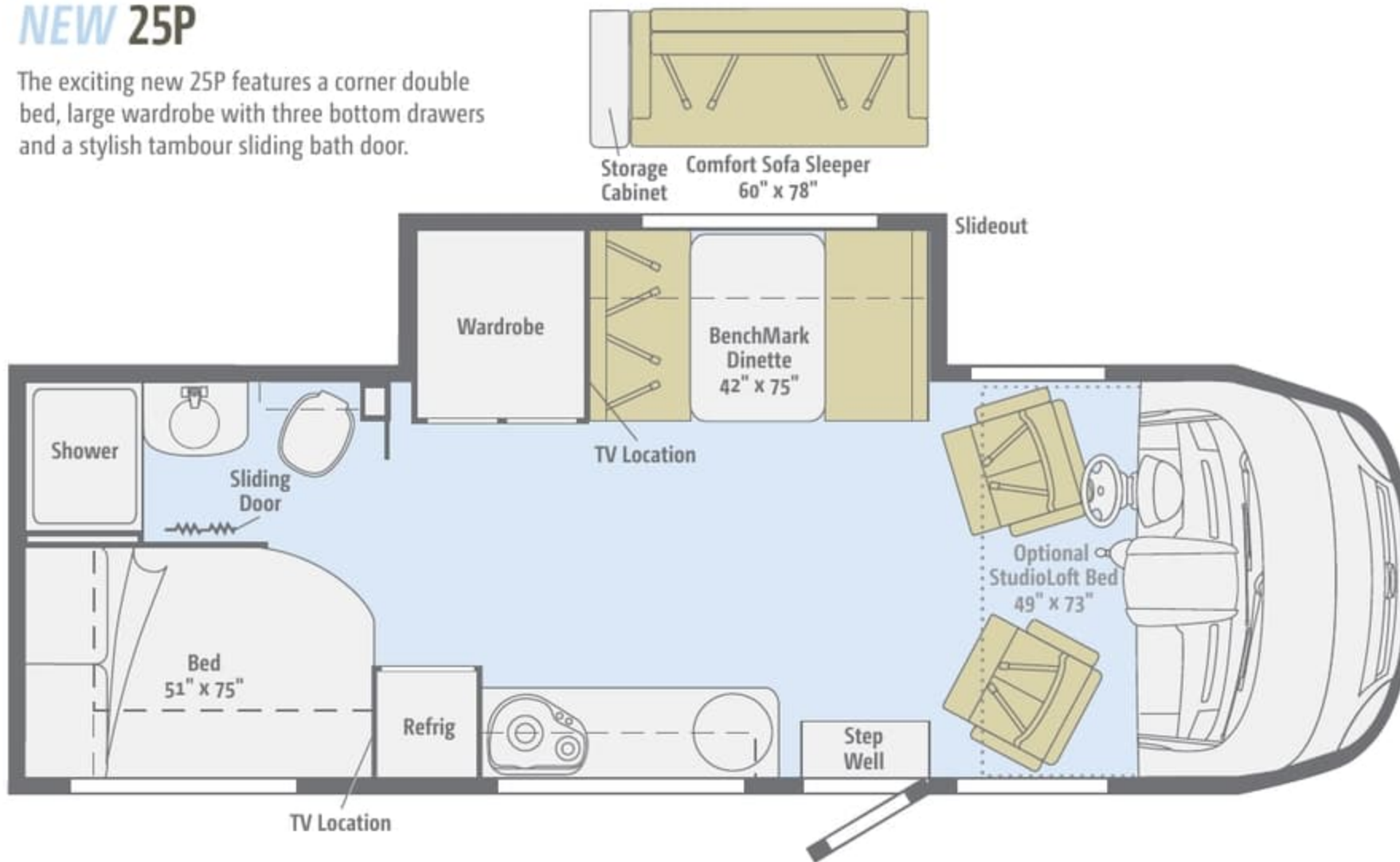
Visit BetterBuiltRVs.com to gain real insight into what goes into a Winnebago Industries motorhome.

TAKE A TOUR We're proud of our processes, state-of-the-art facilities, and the people who make Winnebago Industries number one. We invite you to visit our complex in Forest City, Iowa, for a first-hand look at the dedication and technology behind every motorhome we build.



NEW 25P

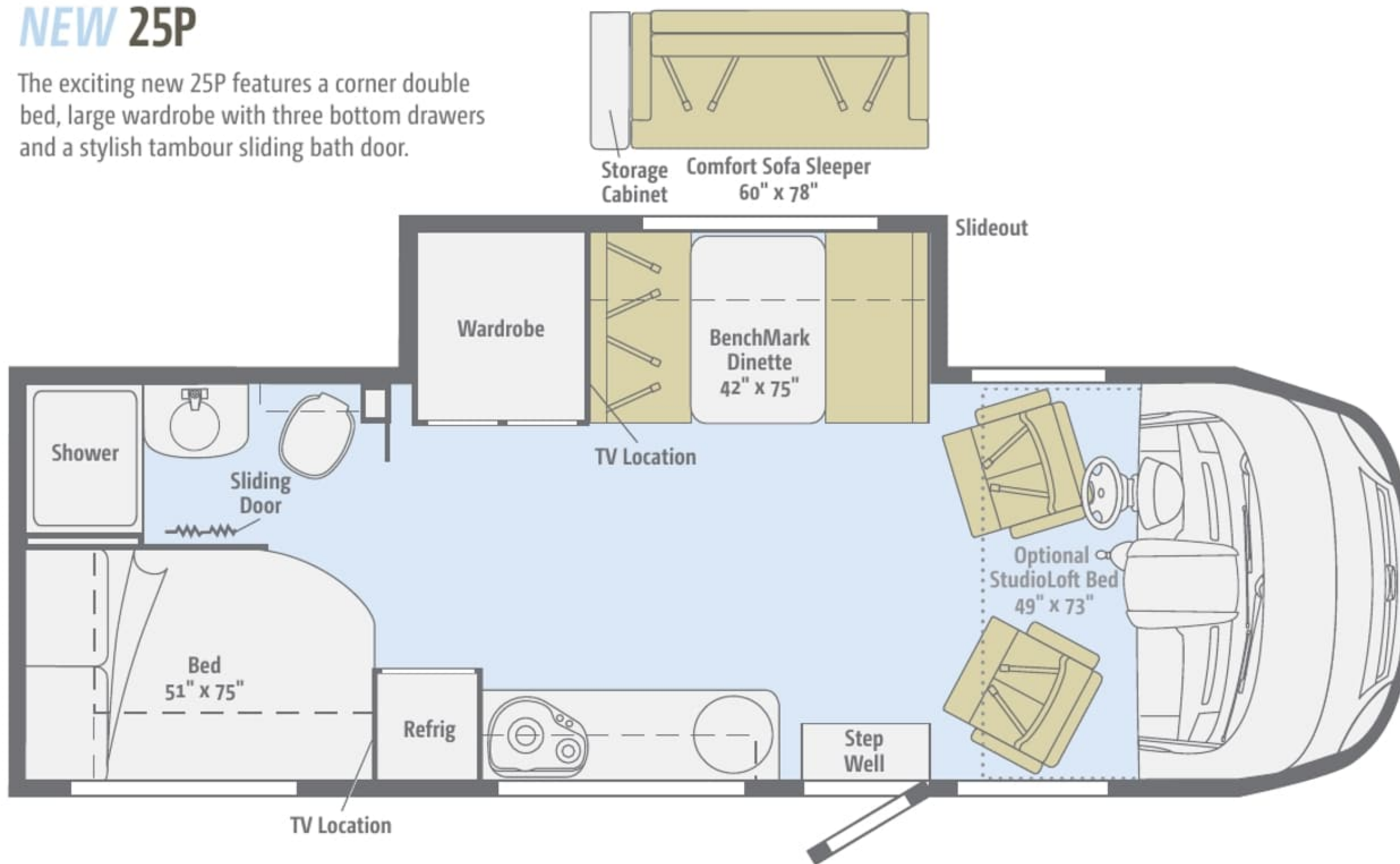
The exciting new 25P features a corner double bed, large wardrobe with three bottom drawers and a stylish tambour sliding bath door.



Dimensions shown are for sleeping space only and may vary due to styling differences. Dashed lines denote overhead storage areas. Floorplans and specifications are also available online at GoWinnebago.com.

NEW 25P

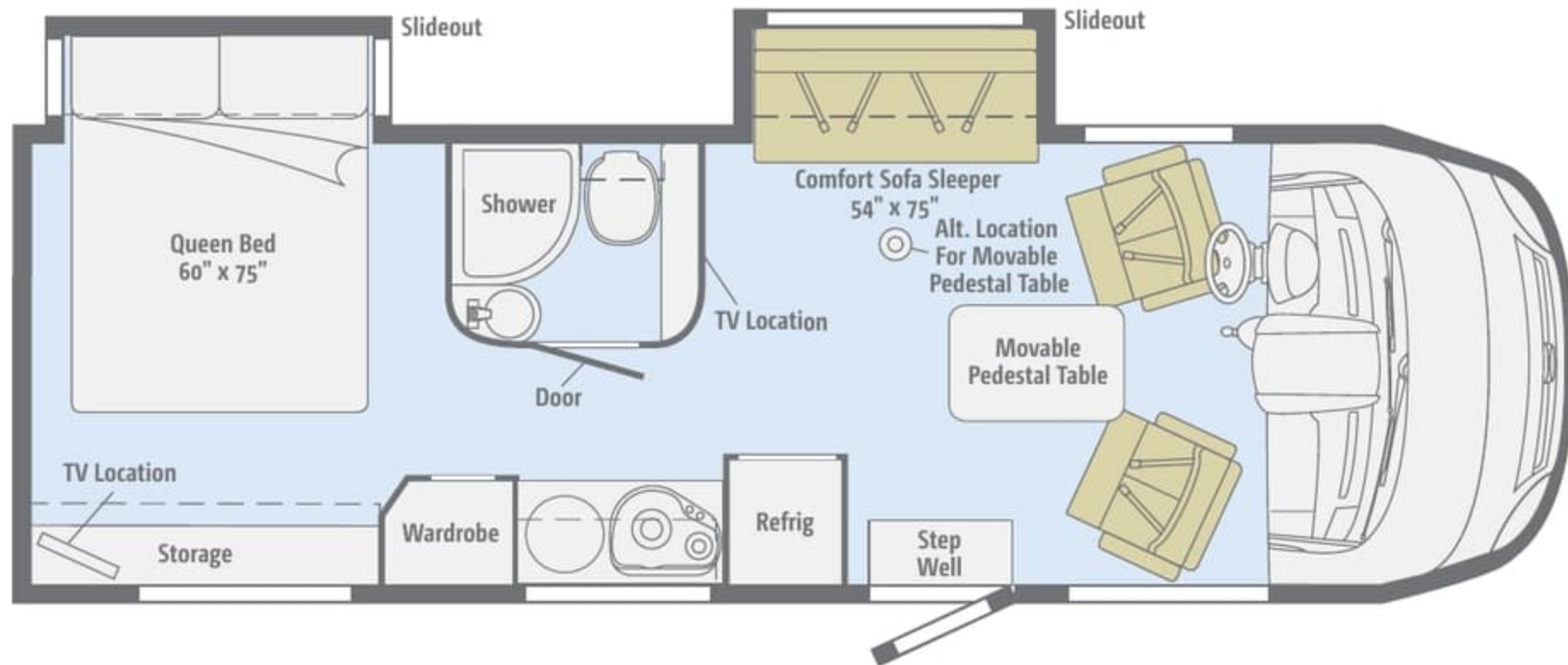
The exciting new 25P features a corner double bed, large wardrobe with three bottom drawers and a stylish tambour sliding bath door.



Dimensions shown are for sleeping space only and may vary due to styling differences. Dashed lines denote overhead storage areas. Floorplans and specifications are also available online at GoWinnebago.com.

25Q

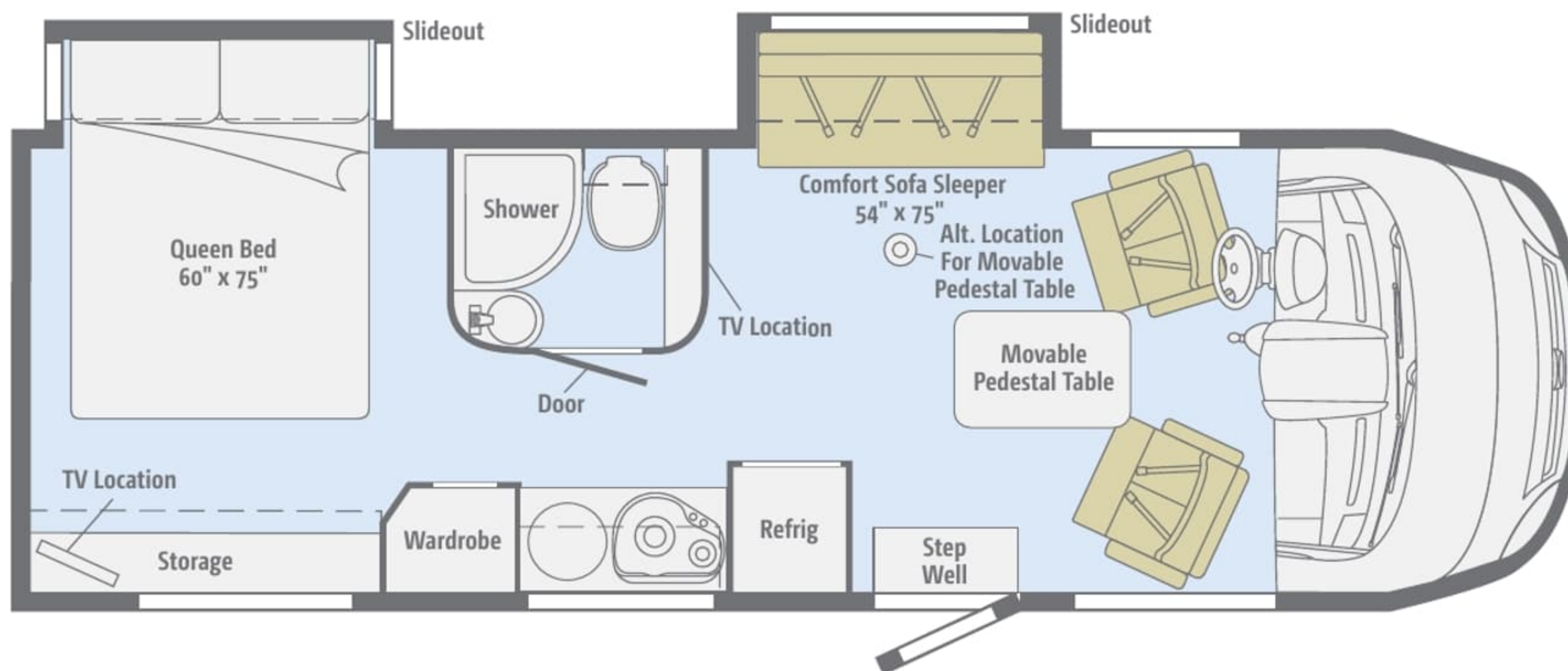
Two slideouts make for a generous bedroom with a walk-around queen bed and a spacious lounge with the Comfort Sofa Sleeper.



Dimensions shown are for sleeping space only and may vary due to styling differences. Dashed lines denote overhead storage areas. Floorplans and specifications are also available online at GoWinnebago.com.

25Q

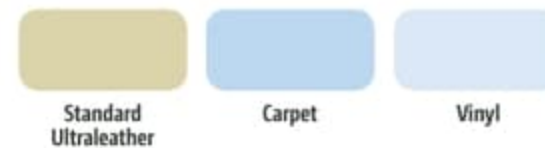
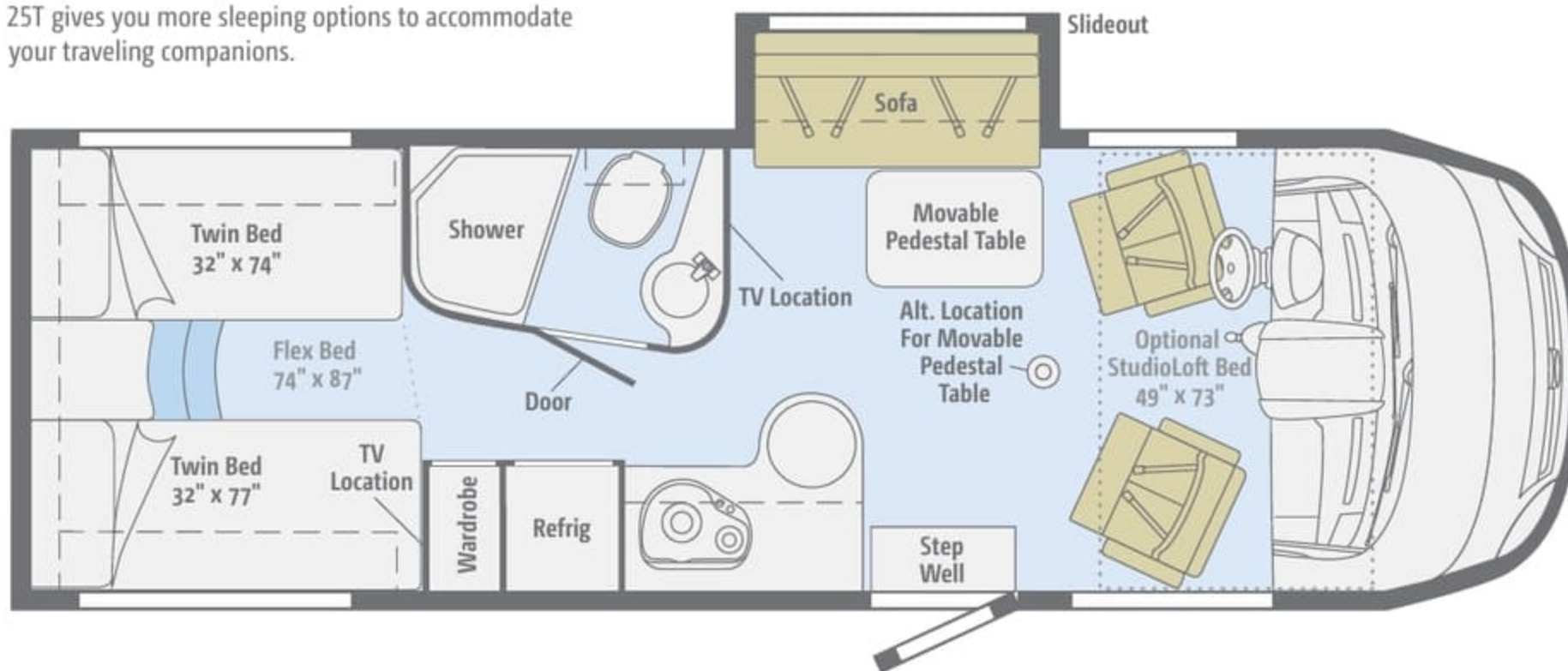
Two slideouts make for a generous bedroom with a walk-around queen bed and a spacious lounge with the Comfort Sofa Sleeper.



Dimensions shown are for sleeping space only and may vary due to styling differences. Dashed lines denote overhead storage areas. Floorplans and specifications are also available online at GoWinnebago.com.

25T

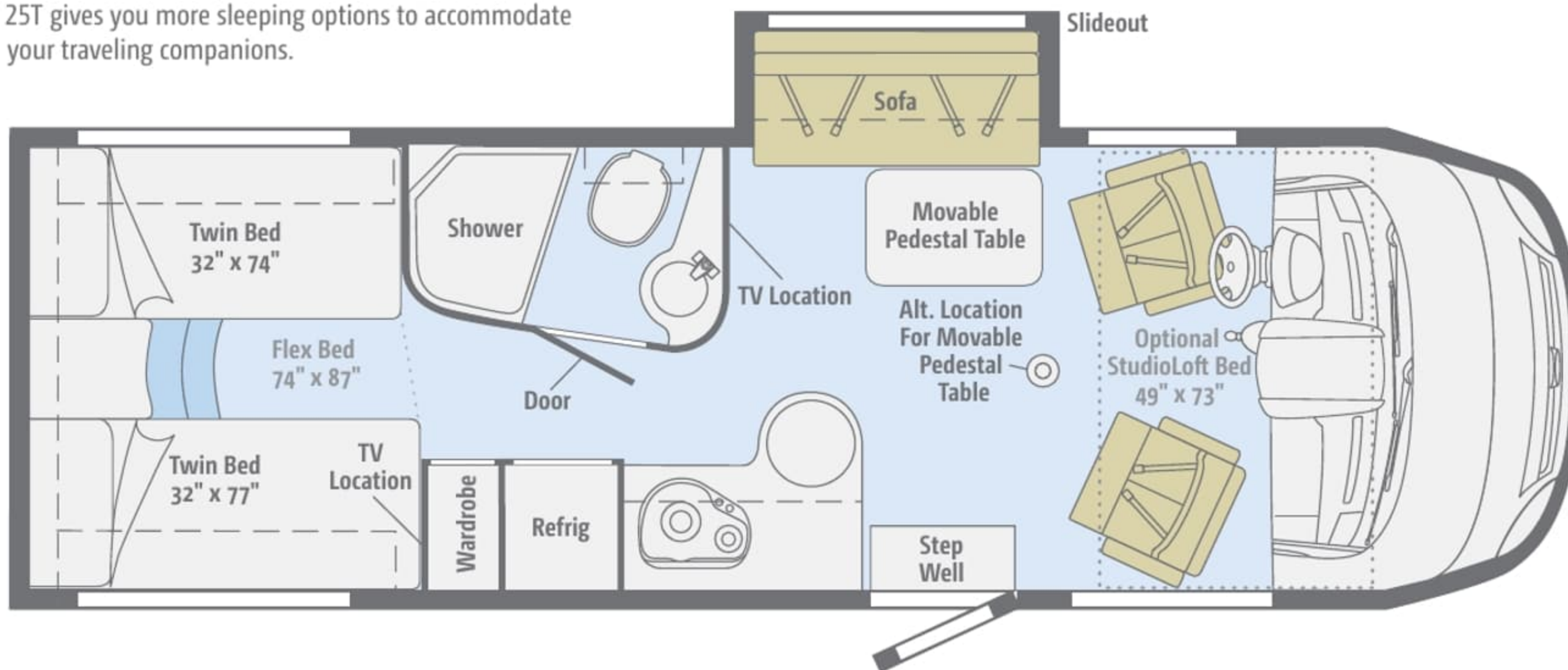
With the Flex Bed System and available StudioLoft™, the 25T gives you more sleeping options to accommodate your traveling companions.



Dimensions shown are for sleeping space only and may vary due to styling differences. Dashed lines denote overhead storage areas. Floorplans and specifications are also available online at GoWinnebago.com.

25T

With the Flex Bed System and available StudioLoft™, the 25T gives you more sleeping options to accommodate your traveling companions.



Standard Ultra leather	Carpet	Vinyl

Dimensions shown are for sleeping space only and may vary due to styling differences. Dashed lines denote overhead storage areas. Floorplans and specifications are also available online at GoWinnebago.com.

Choose from three fabric collections and two wood finishes, each with Satin Nickel hardware.

Hologram



Ultraleather



Accent



Bedspread



Laminate Countertop



Wall Board



Vinyl



Aosta Cherry



High-Gloss Marbella Cherry*

Winnebago Industries® reserves the right to change décor materials and specifications without notice or obligation.

** Running line change beginning with 2013 fall production High-Gloss Marbella Cherry on cabinet door and drawer fronts*

Choose from three fabric collections and two wood finishes, each with Satin Nickel hardware.

Hologram



Ultraleather



Accent



Bedspread



Laminate Countertop



Wall Board



Vinyl



Aosta Cherry



High-Gloss Marbella Cherry*

Winnebago Industries® reserves the right to change décor materials and specifications without notice or obligation.

** Running line change beginning with 2013 fall production High-Gloss Marbella Cherry on cabinet door and drawer fronts*

Choose from three fabric collections and two wood finishes, each with Satin Nickel hardware.

Eclipse



Ultraleather



Accent



Bedspread



Laminate Countertop



Wall Board



Vinyl



Aosta Cherry



High-Gloss Marbella Cherry*

Winnebago Industries® reserves the right to change décor materials and specifications without notice or obligation.

** Running line change beginning with 2013 fall production High-Gloss Marbella Cherry on cabinet door and drawer fronts*

Choose from three fabric collections and two wood finishes, each with Satin Nickel hardware.

Eclipse



Ultraleather



Accent



Bedspread



Laminate Countertop



Wall Board



Vinyl



Aosta Cherry



High-Gloss Marbella Cherry*

Winnebago Industries® reserves the right to change décor materials and specifications without notice or obligation.

** Running line change beginning with 2013 fall production High-Gloss Marbella Cherry on cabinet door and drawer fronts*

Choose from three fabric collections and two wood finishes, each with Satin Nickel hardware.

Twitter



Ultraleather



Accent



Bedspread



Laminate Countertop



Wall Board



Vinyl



Aosta Cherry



High-Gloss Marbella Cherry*

Winnebago Industries® reserves the right to change décor materials and specifications without notice or obligation.

** Running line change beginning with 2013 fall production High-Gloss Marbella Cherry on cabinet door and drawer fronts*

Choose from three fabric collections and two wood finishes, each with Satin Nickel hardware.

Twitter



Ultraleather



Accent



Bedsread



Laminate Countertop



Wall Board



Vinyl



Aosta Cherry



High-Gloss Marbella Cherry*

Winnebago Industries® reserves the right to change décor materials and specifications without notice or obligation.

** Running line change beginning with 2013 fall production High-Gloss Marbella Cherry on cabinet door and drawer fronts*

The streamlined appearance of the Via is enhanced with deluxe graphics or available full-body paint.



Carbon
DELUXE GRAPHICS



Black Garnet
DELUXE GRAPHICS

The streamlined appearance of the Via is enhanced with deluxe graphics or available full-body paint.



Carbon
DELUXE GRAPHICS



Black Garnet
DELUXE GRAPHICS

The streamlined appearance of the Via is enhanced with deluxe graphics or available full-body paint.



Dark Gray Mica
FULL-BODY PAINT



Pearl
FULL-BODY PAINT



Cabernet
FULL-BODY PAINT



Bronze
FULL-BODY PAINT

The streamlined appearance of the Via is enhanced with deluxe graphics or available full-body paint.



Dark Gray Mica
FULL-BODY PAINT



Pearl
FULL-BODY PAINT



Cabernet
FULL-BODY PAINT



Bronze
FULL-BODY PAINT

Weights & Measures

	25P	25Q	25T
Length	25'5"	25'5"	25'5"
Exterior Height ¹	11'	11'	11'
Exterior Width	7'6"	7'6"	7'6"
Exterior Storage ² (cu. ft.)	70	54	92
Awning Length	16'	16'	16'
Interior Height	6'5"	6'5"	6'5"
Interior Width	7'3"	7'3"	7'3"
Freshwater Tank Capacity ³ (gal.)	29	27	28
Water Heater Capacity (gal.)	6/Continuous ⁶	6	6
Holding Tank Capacity - Black/Gray ³ (gal.)	34/40	40/30	36/36
LP Capacity ⁴ (gal.)	13	13	13
Fuel Capacity (gal.)	26.4	26.4	26.4
GCWR ⁵ (lbs.)	15,250	15,250	15,250
GVWR (lbs.)	11,030	11,030	11,030
GAWR - Front (lbs.)	4,410	4,410	4,410
GAWR - Rear (lbs.)	7,720	7,720	7,720
Wheelbase	170"	170"	170"

Chassis

Mercedes-Benz® Sprinter F50 Chassis

188-hp Mercedes-Benz 3.0L 6-cylinder turbo-diesel engine

5-speed automatic transmission w/Tip Shift technology

Hydraulic brakes w/ABS

Adaptive ESP® technology

220-amp. alternator

Trailer Hitch⁵ 5,000-lb. drawbar/500-lb. maximum vertical tongue weight w/7-pin connector

Stainless steel wheel liners

OPTIONAL EQUIPMENT

Stylized aluminum wheels



Mercedes-Benz®
Sprinter F50 Chassis

Cab Conveniences

Cab Seats armrest, adjustable lumbar support, swivel/slide, recline

Power steering w/tilt and telescoping wheel

Power door lock w/remote for main entry door

Dash appliqué package

Seat belts

Removable one-piece fitted carpet liner

12-volt powerpoints

Power mirrors w/defrost and built-in sideview video camera system

Cruise control

Chassis/house battery radio power switch

Sunvisors

Front wraparound curtain

Infotainment Center with Rand McNally RV GPS
6" touch screen color monitor w/split screen function, Rand McNally RV GPS safe & easy routing, amenities & tools, trips & content, turn-by-turn voice guidance, AM/FM radio w/CD/DVD player, handheld remote, SiriusXM™ (subscription not included), compass, outside temperature, iPod®/iPhone® audio integration, Bluetooth™, color rearview camera

Interior

OnePlace® Systems Center

Key-activated slideroom master lock switch

Soft vinyl ceiling

Privacy curtain

Stereo System AM/FM, alarm clock, CD/DVD player, Bluetooth™ input jack

26" HDTV (25Q, 25T)

32" HDTV (25P)

Satellite system ready

Tinted windows

Weights & Measures

	25P	25Q	25T
Length	25'5"	25'5"	25'5"
Exterior Height ¹	11'	11'	11'
Exterior Width	7'6"	7'6"	7'6"
Exterior Storage ² (cu. ft.)	70	54	92
Awning Length	16'	16'	16'
Interior Height	6'5"	6'5"	6'5"
Interior Width	7'3"	7'3"	7'3"
Freshwater Tank Capacity ³ (gal.)	29	27	28
Water Heater Capacity (gal.)	6/Continuous ⁶	6	6
Holding Tank Capacity - Black/Gray ³ (gal.)	34/40	40/30	36/36
LP Capacity ⁴ (gal.)	13	13	13
Fuel Capacity (gal.)	26.4	26.4	26.4
GCWR ⁵ (lbs.)	15,250	15,250	15,250
GVWR (lbs.)	11,030	11,030	11,030
GAWR - Front (lbs.)	4,410	4,410	4,410
GAWR - Rear (lbs.)	7,720	7,720	7,720
Wheelbase	170"	170"	170"

Cab Conveniences

Cab Seats armrest, adjustable lumbar support, swivel/slide, recline

Power steering w/tilt and telescoping wheel

Power door lock w/remote for main entry door

Dash appliqué package

Seat belts

Removable one-piece fitted carpet liner

12-volt powerpoints

Power mirrors w/defrost and built-in sideview video camera system

Cruise control

Chassis/house battery radio power switch

Sunvisors

Front wraparound curtain

Infotainment Center with Rand McNally RV GPS
6" touch screen color monitor w/split screen function, Rand McNally RV GPS safe & easy routing, amenities & tools, trips & content, turn-by-turn voice guidance, AM/FM radio w/CD/DVD player, handheld remote, SiriusXM™ (subscription not included), compass, outside temperature, iPod®/iPhone® audio integration, Bluetooth™, color rearview camera

Chassis

Mercedes-Benz® Sprinter F50 Chassis

188-hp Mercedes-Benz 3.0L 6-cylinder turbo-diesel engine

5-speed automatic transmission w/Tip Shift technology

Hydraulic brakes w/ABS

Adaptive ESP® technology

220-amp. alternator

Trailer Hitch⁵ 5,000-lb. drawbar/500-lb. maximum vertical tongue weight w/7-pin connector

Stainless steel wheel liners

OPTIONAL EQUIPMENT

Stylized aluminum wheels



Mercedes-Benz®
Sprinter F50 Chassis

Interior

OnePlace® Systems Center

Key-activated slideroom master lock switch

Soft vinyl ceiling

Privacy curtain

Stereo System AM/FM, alarm clock, CD/DVD player, Bluetooth™ input jack

26" HDTV (25Q, 25T)

32" HDTV (25P)

Satellite system ready

Tinted windows

LED ceiling lights (coach)

MCD solar/blackout roller shades

Amplified digital TV antenna system

Powered roof vent (bath)

Roof vent w/power ventilator fan (galley 25P, 25Q)

OPTIONAL EQUIPMENT

StudioLoft™ and powered sunvisor (25P, 25T) (NA w/optional driver-side door)

Satellite TV antenna system

Dual-pane coach windows w/built-in screen and shade

Galley

Microwave/convection oven

Vented range hood (25T)

2-burner range top w/glass cover

Norcold® double-door refrigerator/freezer

Stainless steel sink w/glass cover and folding faucet

Laminate countertops

Decorative backsplash

Water filtration system w/cold water faucet

Bath

Flexible showerhead

Retractable, self-cleaning shower screen (25P, 25T)

Shower curtain (25Q)

Skylight

Bedroom

Flex Bed System twin beds/queen bed w/foam mattress, pillows w/shams and access to storage below (25T)

Double bed w/headboard, foam mattress, mattress cover, pillow shams (25P)

Queen bed w/headboard, innerspring mattress, pillows, shams, bedspread and access to storage below (25Q)

22" HDTV

Exterior

Premium high-gloss sidewall skin

16' powered patio awning w/LED lighting

Threshold™ Quiet RV Door

Retractable screen door

Automatic entrance door steps

Lighted storage compartment (in select compartments)

Mud flaps (rear)

Porch light

Stepwell light

Golf bag storage compartment w/framework and straps to secure 2 golf bags

OPTIONAL EQUIPMENT

Driver-side door w/power lock and power window (NA w/StudioLoft)

Lower front protective mask (requires full-body paint)

Heating & Cooling System

14,800 BTU roof-mount air conditioner w/heat pump

20,000 BTU low-profile furnace

Electrical System

Service Center cable TV input, 30-amp. power cord, portable satellite dish hook-up

AC/DC load center, 45-amp. converter/charger

Auxiliary start circuit

Battery disconnect system (coach)

2 deep-cycle, Group 24 RV batteries

Automatic dual-battery charge control

3,600-watt Cummins Onan® MicroQuiet™ LP generator

1,000-watt DC/AC inverter

Exterior TV jack and AC duplex

OPTIONAL EQUIPMENT

3,200-watt Cummins Onan diesel generator

Plumbing System

Service Center color-coded labels, city water hookup/tank diverter fill, drainage valves, 10' sewer hose, exterior wash station w/lighted pump switch

TrueLevel™ holding-tank monitoring system

6-gallon water heater w/electric ignition, 110 V/LP

Winterization Package water heater bypass valve and siphon tube

On-demand water pump

Permanent-mount LP tank w/remote fill

Heated drainage system

Water tank fill w/lockable door

OPTIONAL EQUIPMENT

Tankless water heater (25P)

Safety

Child seat tether anchor (25P)

LP, smoke and carbon monoxide detectors

10 BC fire extinguisher

Ground fault interrupter

High-mount brake lamps

Daytime running lamps

Fog lamps

Warranty⁷

12-month/15,000-mile basic limited warranty⁸

36-month/36,000-mile limited warranty on structure⁸

10-year limited parts-and-labor warranty on roof skin⁸

- 1 The height of each model is measured to the top of the tallest standard feature and is based on the curb weight of a typically equipped unit. The actual height of your vehicle may vary by several inches depending on chassis or equipment variations. Please contact your dealer for further information.
- 2 The load capacity of your motorhome is designated by weight, not by volume, so you cannot necessarily use all available space when loading your motorhome.
- 3 Capacities are based on measurements prior to tank installation. Slight capacity variations can result due to installation applications.
- 4 Capacities shown are tank manufacturer's listed water capacity (WC). Actual filled LP capacity is 80% of listing due to overfilling prevention device on tank.
- 5 Actual towing capacity is dependent on your particular loading and towing circumstances which includes the GVWR, GAWR, and GCWR, as well as adequate trailer brakes. Please refer to the Operator's Manual of your vehicle for further towing information.
- 6 For vehicles manufactured 5/9/13 or later.
- 7 See separate chassis warranty.
- 8 See your dealer for complete warranty information.

Winnebago Industries™ continuing program of product improvement makes specifications, equipment, model availability, and prices subject to change without notice. Published content reflects the most current product information at time of printing. Please consult your dealer for individual vehicle features and specifications.

LED ceiling lights (coach)

MCD solar/blackout roller shades

Amplified digital TV antenna system

Powered roof vent (bath)

Roof vent w/powered ventilator fan (galley 25P, 25Q)

OPTIONAL EQUIPMENT

StudioLoft™ and powered sunvisor (25P, 25T) (NA w/ optional driver-side door)

Satellite TV antenna system

Dual-pane coach windows w/built-in screen and shade

Galley

Microwave/convection oven

Vented range hood (25T)

2-burner range top w/glass cover

Norcold® double-door refrigerator/freezer

Stainless steel sink w/glass cover and folding faucet

Laminate countertops

Decorative backsplash

Water filtration system w/cold water faucet

Bath

Flexible showerhead

Retractable, self-cleaning shower screen (25P, 25T)

Shower curtain (25Q)

Skylight

Bedroom

Flex Bed System twin beds/queen bed w/foam mattress, pillows w/shams and access to storage below (25T)

Double bed w/headboard, foam mattress, mattress cover, pillow shams (25P)

Queen bed w/headboard, innerspring mattress, pillows, shams, bedspread and access to storage below (25Q)

22" HDTV

Exterior

Premium high-gloss sidewall skin

16' powered patio awning w/LED lighting

Threshold™ Quiet RV Door

Retractable screen door

Automatic entrance door steps

Lighted storage compartment (in select compartments)

Mud flaps (rear)

Porch light

Stepwell light

Golf bag storage compartment w/framework and straps to secure 2 golf bags

OPTIONAL EQUIPMENT

Driver-side door w/power lock and power window (NA w/StudioLoft)

Lower front protective mask (requires full-body paint)

Heating & Cooling System

14,800 BTU roof-mount air conditioner w/heat pump

20,000 BTU low-profile furnace

Electrical System

Service Center cable TV input, 30-amp. power cord, portable satellite dish hook-up

AC/DC load center, 45-amp. converter/charger

Auxiliary start circuit

Battery disconnect system (coach)

2 deep-cycle, Group 24 RV batteries

Automatic dual-battery charge control

3,600-watt Cummins Onan® MicroQuiet™ LP generator

1,000-watt DC/AC inverter

Exterior TV jack and AC duplex

OPTIONAL EQUIPMENT

3,200-watt Cummins Onan diesel generator

Plumbing System

Service Center color-coded labels, city water hookup/tank diverter fill, drainage valves, 10' sewer hose, exterior wash station w/lighted pump switch

TrueLevel™ holding-tank monitoring system

6-gallon water heater w/electric ignition, 110 V/LP

Winterization Package water heater bypass valve and siphon tube

On-demand water pump

Permanent-mount LP tank w/remote fill

Heated drainage system

Water tank fill w/lockable door

OPTIONAL EQUIPMENT

Tankless water heater (25P)

Safety

Child seat tether anchor (25P)

LP, smoke and carbon monoxide detectors

10 BC fire extinguisher

Ground fault interrupter

High-mount brake lamps

Daytime running lamps

Fog lamps

Warranty⁷

12-month/15,000-mile basic limited warranty⁸

36-month/36,000-mile limited warranty on structure⁸

10-year limited parts-and-labor warranty on roof skin⁸

- 1 The height of each model is measured to the top of the tallest standard feature and is based on the curb weight of a typically equipped unit. The actual height of your vehicle may vary by several inches depending on chassis or equipment variations. Please contact your dealer for further information.
- 2 The load capacity of your motorhome is designated by weight, not by volume, so you cannot necessarily use all available space when loading your motorhome.
- 3 Capacities are based on measurements prior to tank installation. Slight capacity variations can result due to installation applications.
- 4 Capacities shown are tank manufacturer's listed water capacity (WC). Actual filled LP capacity is 80% of listing due to overfilling prevention device on tank.
- 5 Actual towing capacity is dependent on your particular loading and towing circumstances which includes the GVWR, GAWR, and GCWR, as well as adequate trailer brakes. Please refer to the Operator's Manual of your vehicle for further towing information.
- 6 For vehicles manufactured 5/9/13 or later.
- 7 See separate chassis warranty.
- 8 See your dealer for complete warranty information.

Winnebago Industries® continuing program of product improvement makes specifications, equipment, model availability, and prices subject to change without notice. Published content reflects the most current product information at time of printing. Please consult your dealer for individual vehicle features and specifications.

GoWinnebago.com Has All The Answers

Visit GoWinnebago.com on your computer, smartphone or tablet for the latest product information and updates.



PREFERRED CARE PROGRAM

We back our motorhomes with best-in-class support both before *and* after the sale:

- 12-month/15,000-mile basic limited warranty
- 36-month/36,000-mile limited warranty on structure
- 10-year limited parts-and-labor warranty on roof skin
- Complimentary 24-hour roadside assistance program



TRIP Saver
FAST TRACK PARTS

- TripSaver® Fast Track Parts guarantees that in-stock warranty parts ship directly to your dealer within 24 hours
- National dealer service network



WIT CLUB

Join the Club, Join the Fun

As a Winnebago motorhome owner, you are invited to join the WIT Club. It's a great way to take full advantage of your new coach and meet fun-loving WIT Club members from across the country who make motorhome adventures a way of life.



Members enjoy:

- Caravans and rallies
- Newsletters
- Local and state group activities
- RV travel benefits

See more at WITclub.com



Grand National Rally

In 1969, two things happened: Neil Armstrong took mankind's first steps on the moon, and Winnebago Industries' WIT Club launched its first Grand National Rally in Forest City, Iowa. Every year since then, thousands of rally-goers connect with old friends to enjoy concerts, tours, activities, and more. Blast off for an adventurous week in July to celebrate 45 years of interstate land roving at the 2014 "Out of This World" Grand National Rally. It's a mission you'll never forget!

GoWinnebago.com Has All The Answers

Visit GoWinnebago.com on your computer, smartphone or tablet for the latest product information and updates.



PREFERRED CARE PROGRAM

We back our motorhomes with best-in-class support both before *and* after the sale:

- 12-month/15,000-mile basic limited warranty
- 36-month/36,000-mile limited warranty on structure
- 10-year limited parts-and-labor warranty on roof skin
- Complimentary 24-hour roadside assistance program



TRIP Saver
FAST TRACK PARTS

- TripSaver® Fast Track Parts guarantees that in-stock warranty parts ship directly to your dealer within 24 hours
- National dealer service network



WIT CLUB

Join the Club, Join the Fun

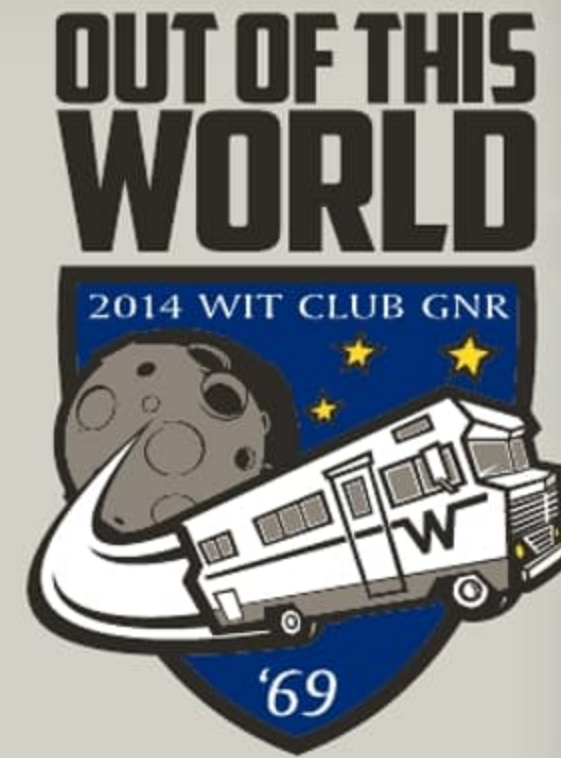
As a Winnebago motorhome owner, you are invited to join the WIT Club. It's a great way to take full advantage of your new coach and meet fun-loving WIT Club members from across the country who make motorhome adventures a way of life.



Members enjoy:

- Caravans and rallies
- Newsletters
- Local and state group activities
- RV travel benefits

See more at WITclub.com



Grand National Rally

In 1969, two things happened: Neil Armstrong took mankind's first steps on the moon, and Winnebago Industries' WIT Club launched its first Grand National Rally in Forest City, Iowa. Every year since then, thousands of rally-goers connect with old friends to enjoy concerts, tours, activities, and more. Blast off for an adventurous week in July to celebrate 45 years of interstate land roving at the 2014 "Out of This World" Grand National Rally. It's a mission you'll never forget!